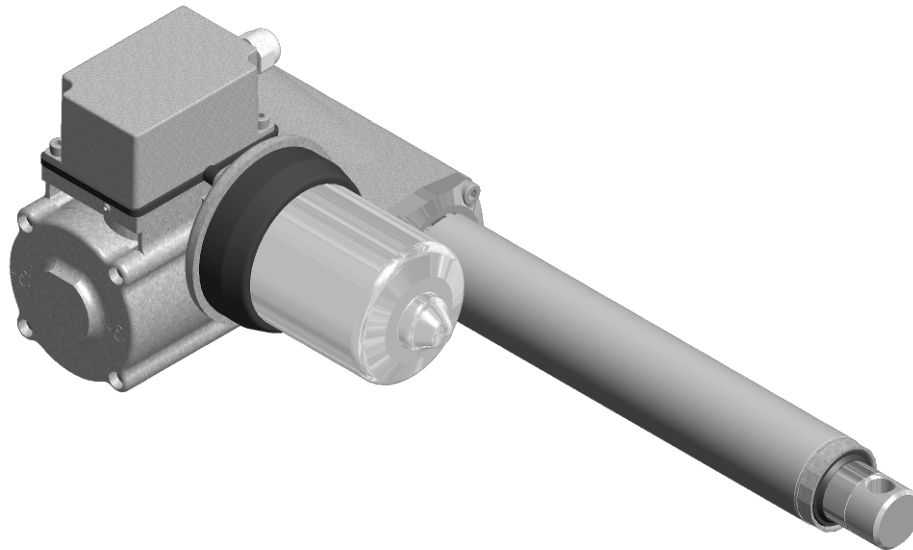


## ALI3-P Model CE

- Permanent magnet motor CE
- Worm gearbox
- Acme lead screw or ballscrew (VRS)
- Chrome plated steel push rod
- Permanent grease lubrication
- IP65, tested according to rule CEI EN 60529
- Working temperature range -10°C +60°C
- Intermittent duty S3 30% (5 min) a +30°C\*
- Limit switches, potentiometer and encoder on request

(\*) For any special duty please contact our technical dept.



ALI3-P (Vdc)						
Fmax (N)	Speed (mm/s)	Version	Motor size	Motor power (KW)	Motor speed (rpm)	Max Current for Fmax(A) 24Vdc
3600	35	M01	61.5	-	5000	14
3600	25	M02	61.5	-	5000	10
6000	12	M03	61.5	-	5000	11
6000	9	M04	61.5	-	5000	8,8
6000	5	M05	61.5	-	5000	7,2

\*\*

\* With strokes longer than 350mm, check STROKE SETUP section.

\*\* For 12 Vdc power supply currents are doubled and loads are 20% lower.

BEFORE OPERATING ACTUATOR MAKE SURE YOU READ AND UNDERSTOOD BASIC OPERATIONAL INSTRUCTIONS SHOWN ON USERMANUALS, AVAILABLE FROM WEBSITE.

THIS DOCUMENT DISPLAYS MOST TYPICAL STANDARD FEATURES AND SETUPS: CONTACT OUR OFFICES FOR MORE.

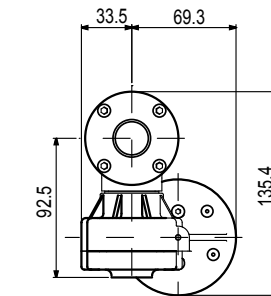
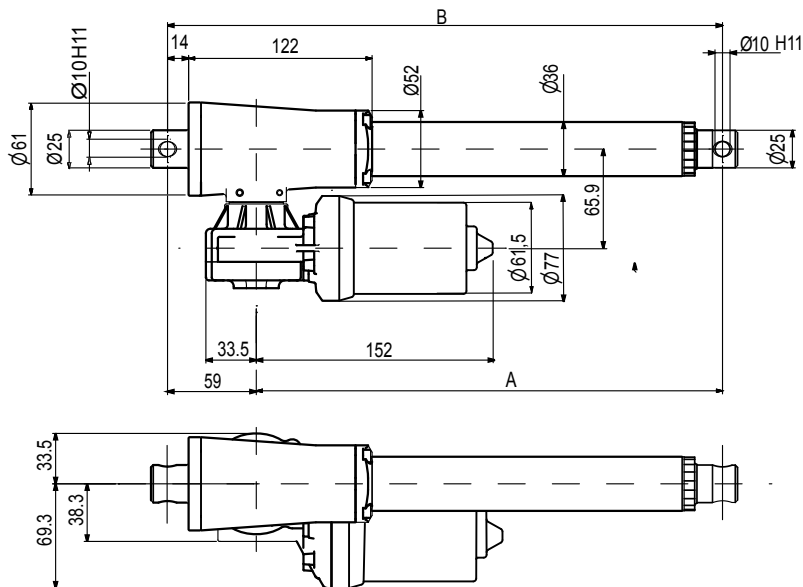
ACTUATOR SHALL NOT COME TO **MECHANICAL STROKE-END**, TO **AVOID FAILURES**.

CONSIDER MECVEL's LIMITSWITCHES ( MODEL ALI3-P-F or ALI3-P-FCM) OR PUT THEM ON MACHINE/FRAME.



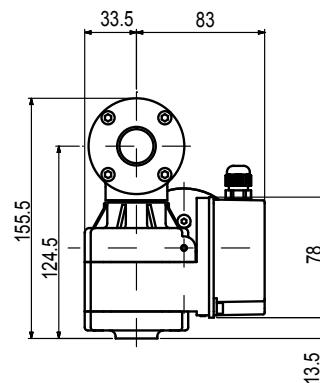
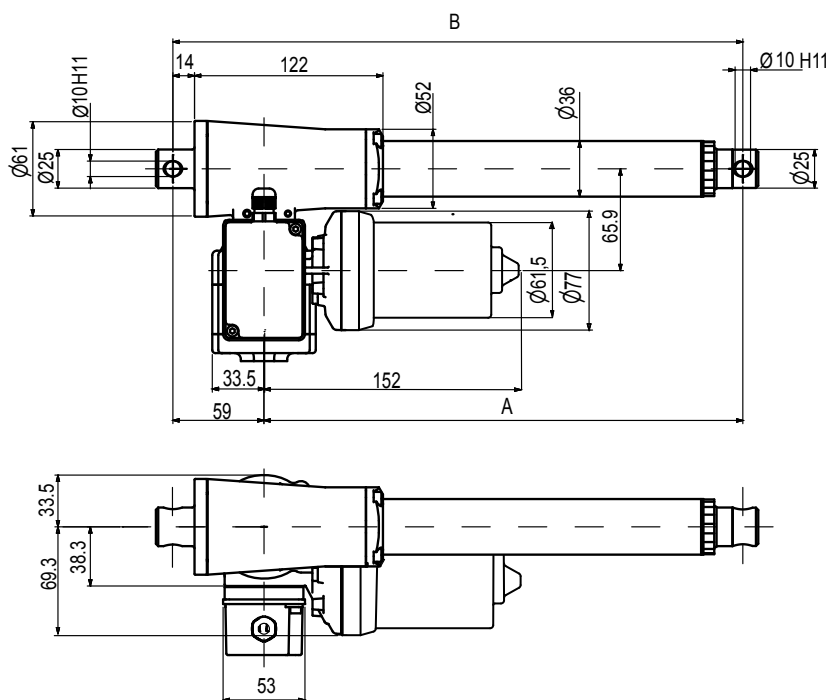
MecVel reserves the right to change products information and/or features without notice; all data contained in this catalogue are purely indicative and not binding for the company.

### ALI3-P Version without limitswitches

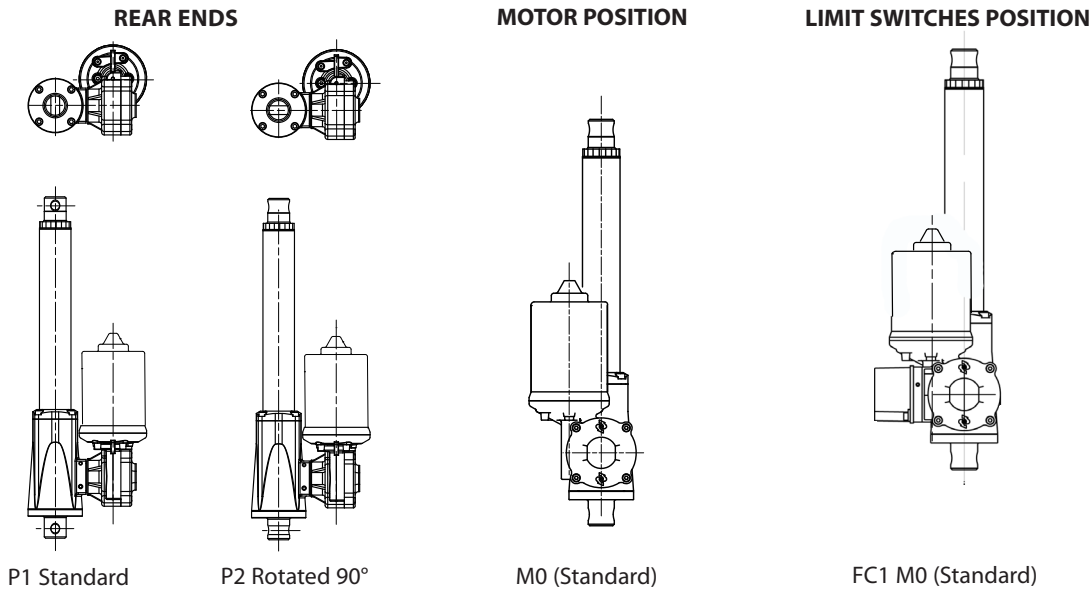


DIMENSION	Stroke < to 320 mm.	Stroke > to 320 mm.
A	110 + stroke	121 + stroke
B	169 + stroke	180 + stroke

### ALI3-P-F Version with limitswitches

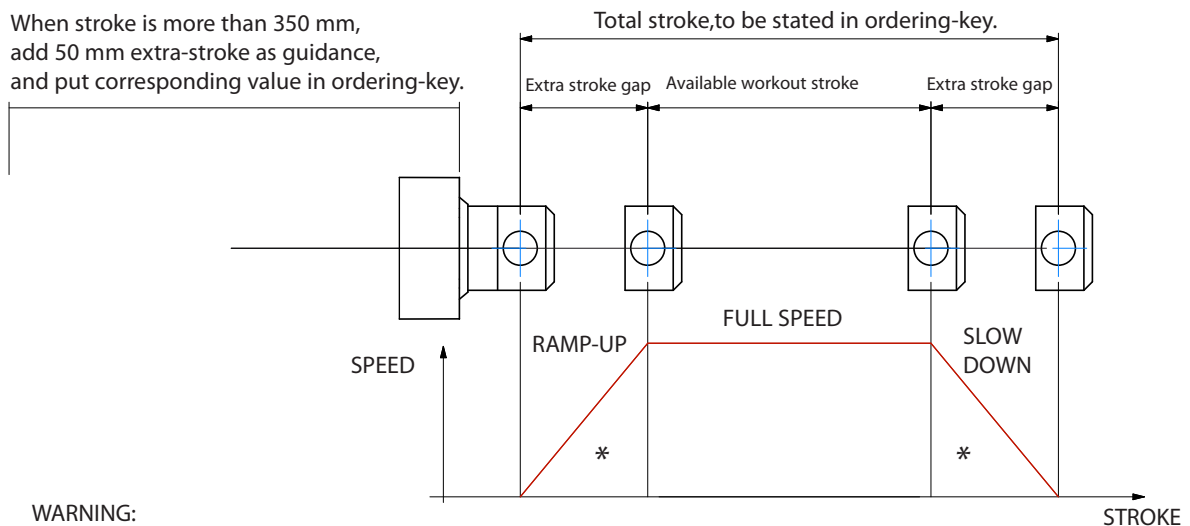


DIMENSION	Stroke < to 320 mm.	Stroke > to 320 mm.
A	110 + stroke	121 + stroke
B	169 + stroke	180 + stroke



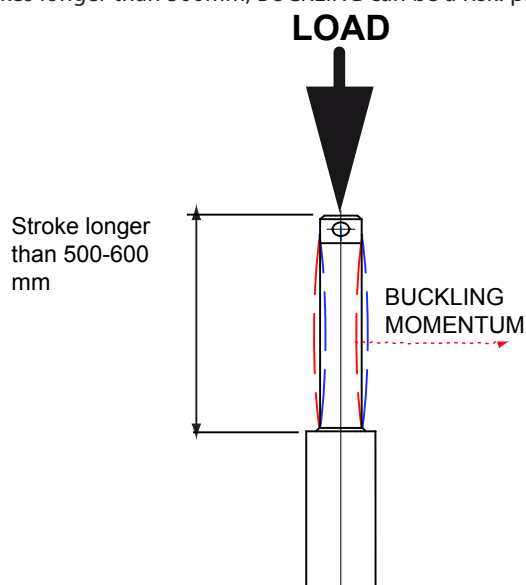
**STROKE SETUP:** Useful tips for handling stroke and avoid run-on-block collision.

When stroke is more than 350 mm, add 50 mm extra-stroke as guidance, and put corresponding value in ordering-key.



**WARNING:**  
SPEED-TIMING ALONG STROKELENGTH:  
ramps are extremely important with high speed!!! Inverter or PWM drive recommended!  
\* The more speed raises the more extra stroke has to raise too.

**BUCKLING:** With strokes longer than 500mm, BUCKLING can be a risk: please check mounting with our offices and/or see usermanuals.



**IMPORTANT:**  
Long strokes, even if load is low, can generate significant buckling momentums, as sketch slows.  
This happens when actuator is in its all-opened position: that's the reason why we recommend 100 mm extra-stroke.  
Push tube will have this 100 mm-portion always inside the over tube, improving guidance against buckling.  
For more information on this, contact our office.

**ALI3-P-F / 0250 / M01 / CC-24-61,5-5000- / M1 / 1 / E01 / 2FC1 / POT01A / FC1 / P1 / A1**

**MODEL:** \_\_\_\_\_  
 ALI3-P / ALI3-P-F  
 ALI3-P-FCM

**STROKE:** \_\_\_\_\_  
 es. 250 mm = 0250

**VERSION:** (pag.33) \_\_\_\_\_  
 M01 / M02 / M03 / M04 / M05/  
 (version D.C.)  
 M00 = Not standard speed

**MOTOR:** (Page ACCESSORIES) \_\_\_\_\_  
**12** = 12 Vdc  
**24** = 24 Vdc

**MOTOR POSITION:** \_\_\_\_\_  
**M0** None: Leave blank

**E-BOX POSITION:** \_\_\_\_\_  
**1**

No Motor or DC Motor: Leave blank

**ENCODER:** (Page ACCESSORIES) \_\_\_\_\_  
 None: Leave blank

**LIMIT SWITCHES:** (Page ACCESSORIES) \_\_\_\_\_  
 None: Leave blank

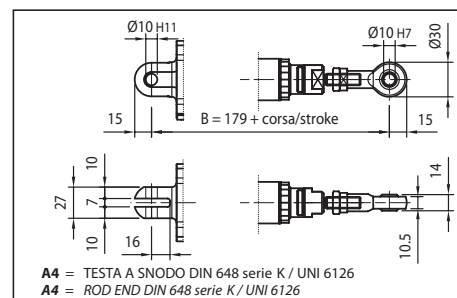
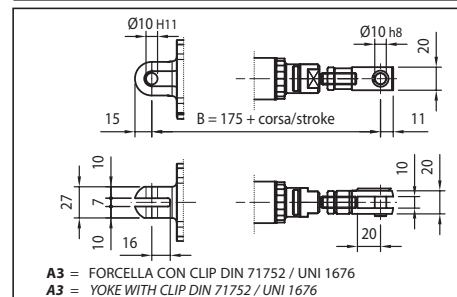
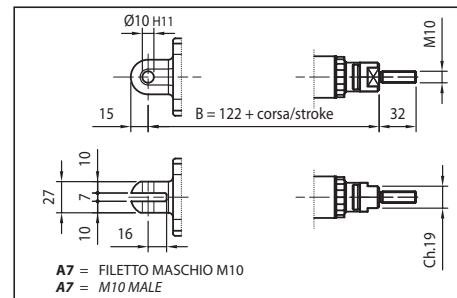
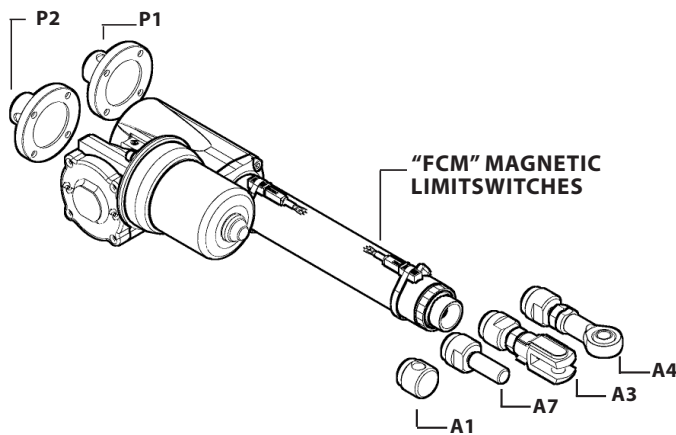
**POTENTIOMETER:** \_\_\_\_\_  
**POT01A** (1Kohm) **POT10A** (10Kohm) None: / Leave blank

**LIMIT SWITCHES POSITION:** \_\_\_\_\_  
**FC1** None: Leave blank

**REAR END:** \_\_\_\_\_  
**P1** = Eyelet (standard) **P2** = Eyelet (90°)

**FRONT END:** \_\_\_\_\_  
**A1** = Eyelet (Std pag.34) **A4** = Rod end  
**A3** = Yoke + Clip **A7** = M10 male

**NOTE: COMPLETE THE ORDERING KEY ADDING THE OPTIONS YOU CAN FIND IN THE "ACCESSORIES AND OPTIONS" SECTION**



**Note:** "B" dimension changes according to model  
 ALI3-P = see pictures  
 ALI3-P stroke > 320 mm = + 10 mm (for all versions)  
 ALI3-P-FCM = + 36 mm  
 with safety nut "G" = + 30 mm  
 Bellow + 20mm (no for versions FCM )